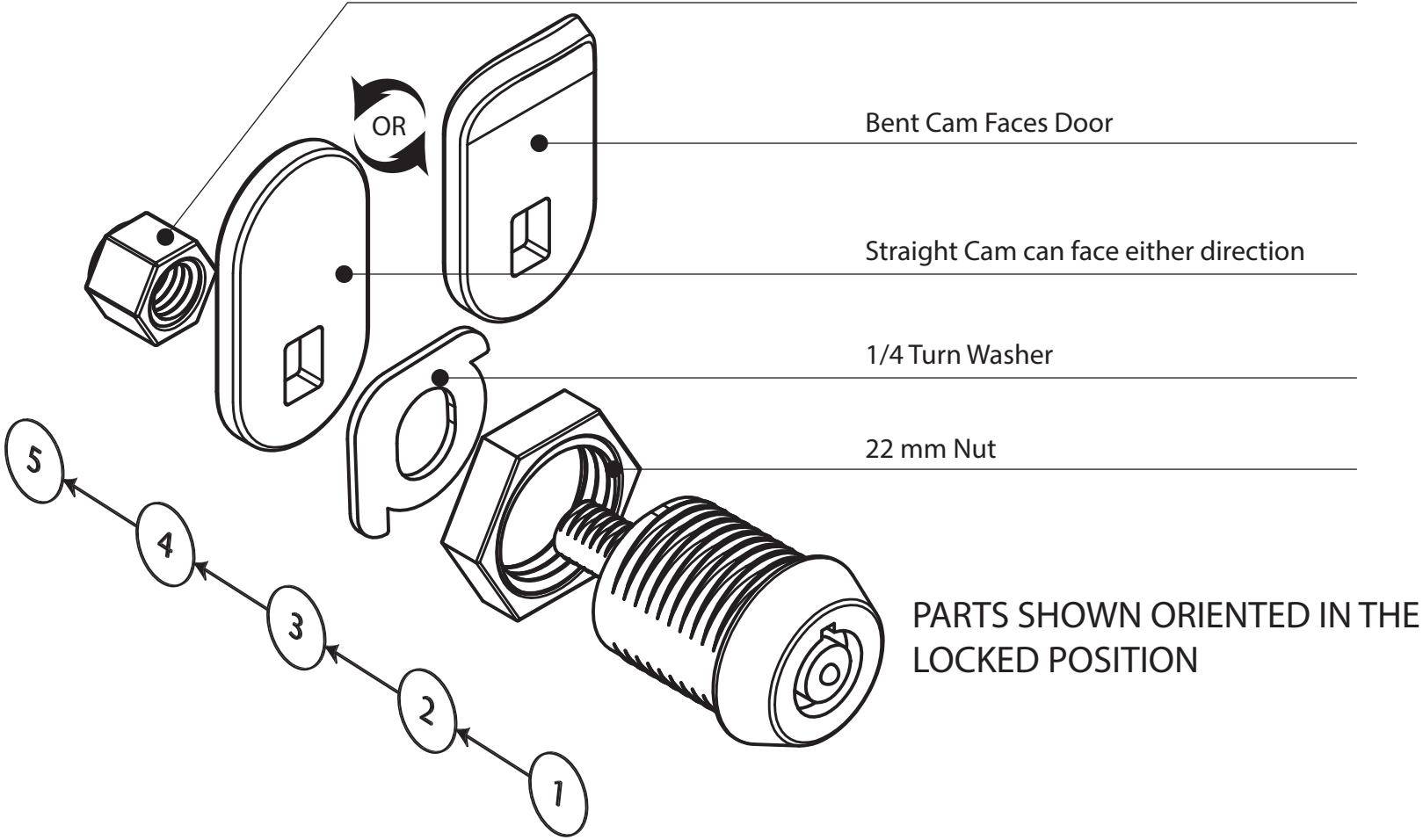


LOCK ASSEMBLY INSTRUCTIONS

Use 11mm Wrench (**do not overtighten**)



DIESELKeeper™